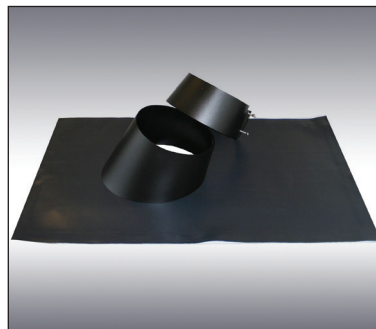




Pre-formed lead-free flexible
flashings for chimneys and
ventilation pipes

Area of application

Sealing wood burner flues



Sabetoflex provides the perfect collar and flashing combination for wood burner flues with diameters ranging from 250/270mm.

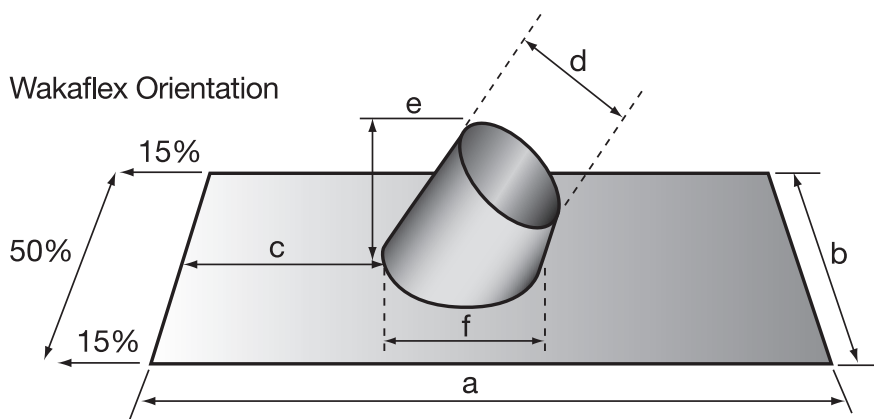
Unlike traditional metal collars, up to three of which are needed to cover all pitches, Sabetoflex collars can be adjusted to suit the pitch and can be used just as effectively on flat and green roofs*.

*Please contact our Technical Department for specific installation advice.

Sabetoflex kits come complete with a pre-installed Wakaflex sealing collar which provides an airtight seal with the roof. This offers a far better solution than standard lightweight metal flashings which provide no overall seal and can be inadequate on low pitches. The Wakaflex plate is provided with butyl strips around the edge for easy fixing.

Installation

For correct installation, please ensure that there is a gap between the pipe and outlet. This is a mandatory requirement, especially for wood burners.



Operating Temperatures

Wood Burner Outlet (Metal):
up to 400°C

Colours & Sizes

Wood Burner Outlets

250mm | 270mm
Both diameters are available
for low pitches 7°- 32° and
high pitches 31°- 45°



Diameter	Pitch	a	b	c	d	e	f
ø 250	7-32°	1080mm	685mm	min 200mm	265mm	196mm	343mm
ø 250	31-45°	1080mm	685mm	min 200mm	265mm	259mm	439mm
ø 270	7-32°	1080mm	715mm	min 200mm	285mm	202mm	366mm
ø 270	31-45°	1080mm	715mm	min 200mm	285mm	202mm	366mm

Product	Width	Colour	Code
Wood Burner Outlet High Pitch	250mm	Anthracite	PSFWBH250
Wood Burner Outlet Low Pitch	250mm	Anthracite	PSFWBL250
Wood Burner Outlet High Pitch	270mm	Anthracite	PSFWBH270
Wood Burner Outlet Low Pitch	270mm	Anthracite	PSFWBL270

Contact

Haus Profi
Unit 6F, East Midlands Distribution Centre, Short Lane,
Castle Donington, Derbyshire, DE74 2HA, UK

tel: 0845 600 4427
fax: 01332 813 082

email: info@haus-profi.co.uk
www.roof-flashing.info

